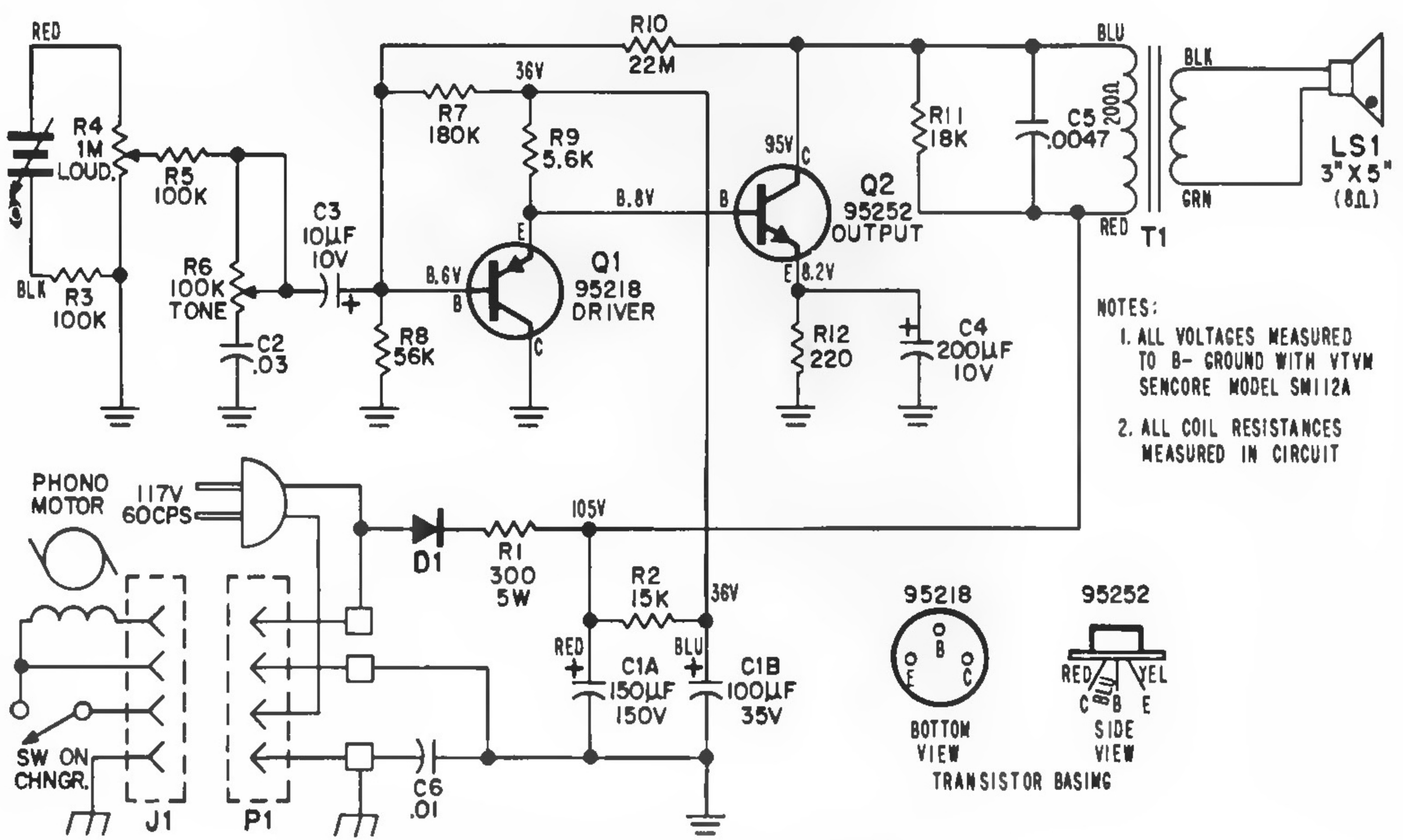


PHILCO Model P1442

Bottom View Perma-Circuit Panel - Component Layout



- NOTES:
1. ALL VOLTAGES MEASURED TO B- GROUND WITH VTVM SENCORE MODEL SM112A
 2. ALL COIL RESISTANCES MEASURED IN CIRCUIT

Model P1442 Schematic Diagram